



# **BKG NTRIP Client**

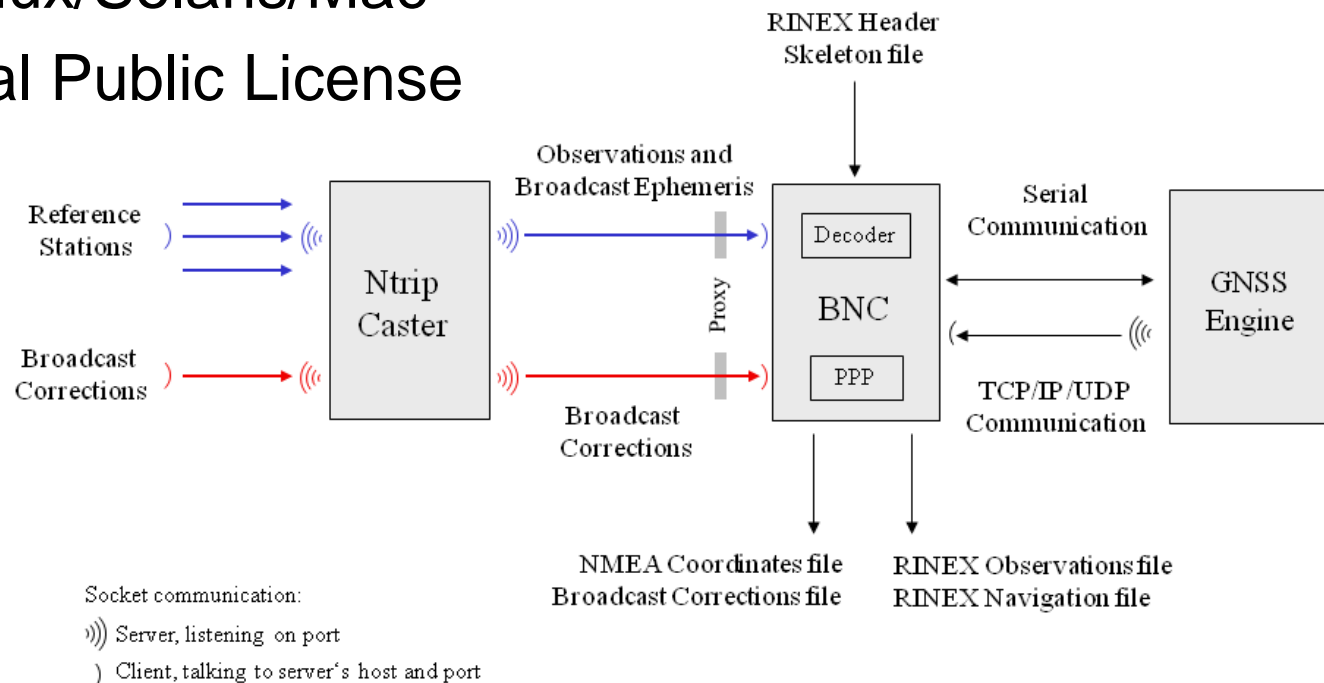
## **Demonstration**

James Perlt

Federal Agency for Cartography and Geodesy



- Retrieving, decoding and converting real-time GNSS data streams
- Multiple streams in different formats from different casters, simultaneously
- Windows/Linux/Solaris/Mac
- GNU General Public License





**Basic Configuration Tabs**

Network | General | RINEX Observations | RINEX Ephemeris | Broadcast Corrections | Feed Engine | Serial Output

Proxy host: gate-f.ifag.de  
Proxy port: 8001

Settings for proxy in protected networks, leave boxes blank if none.

**Settings**

Path to SSL Certificates: default: C:/Dokumente und Einstellungen/perlt/.config/BKG  
Ignore SSL Authorization Errors:

Settings for SSL Authorization.

Streams:	resource loader / mountpoint	decoder	lat	long	nmea	ntrip	bytes
1	www.igs-ip.net:2101/FFMJ1	RTCM_3.0	50.09	8.66	no	1	0 byte(s)

**Stream list**

Log | Throughput | Latency | PPP Plot

**Messages and activity plots**

**Action buttons**

Add Stream | Delete Stream | Start | Stop | Start Post-Processing

Help ?=Shift+F1

**Advanced  
Configuration Tabs**



## BNC Settings and Help (Configuration)

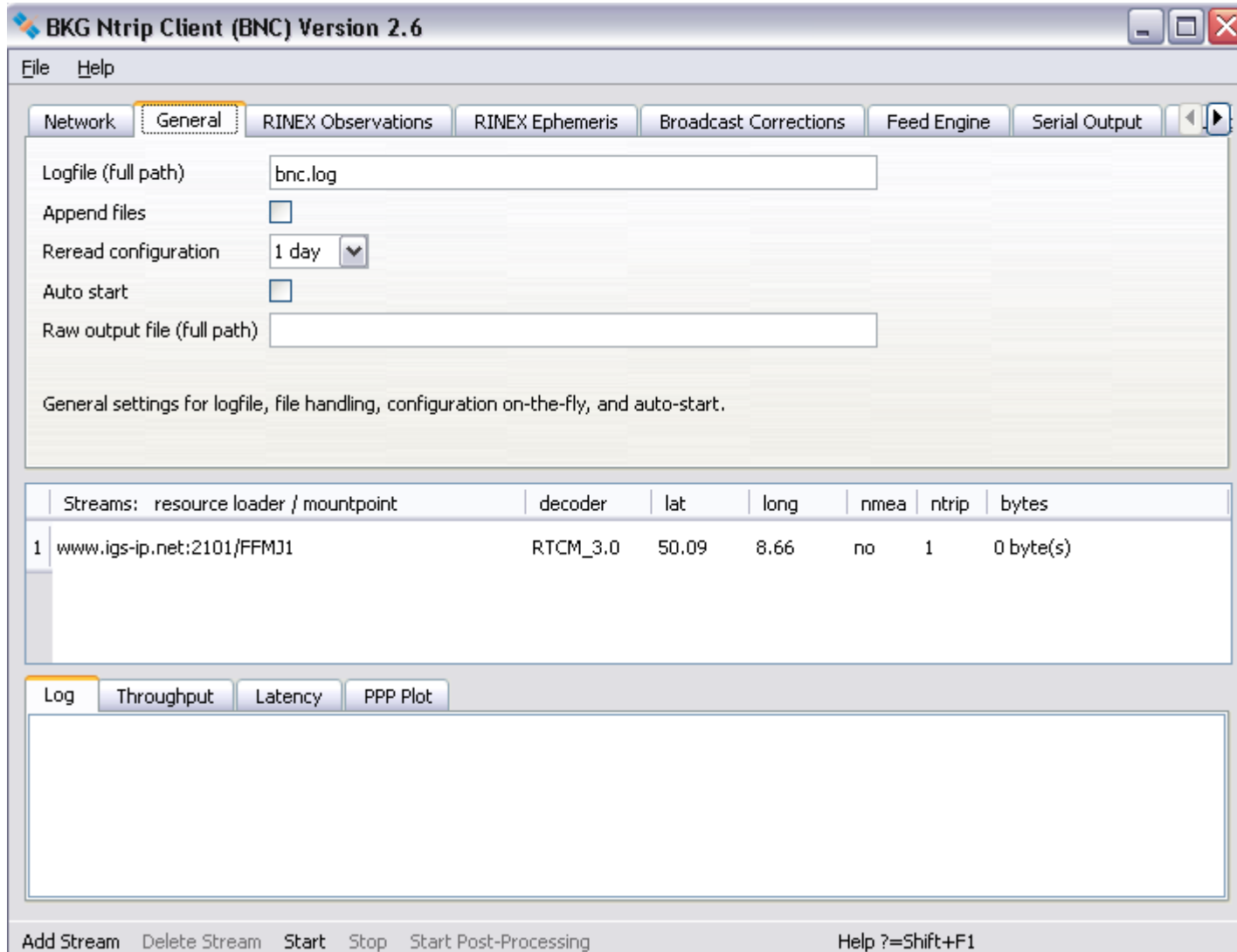
- Settings will be stored in an ASCII file, experts edit the file manually
- Run BNC in batch/background mode without graphical interface, the previously saved configuration file is used
- Complete manual available via Help menu
- “What’s this ?”-help function



- Configuration of proxy host and port
- Handling of secure connections and SSL Certificates

The screenshot shows a software window titled "Network" with several tabs: "General", "RINEX Observations", "RINEX Ephemeris", "Broadcast Corrections", "Feed Engine", and "Serial Output". The "General" tab is active. It contains the following fields and options:

- Proxy host:** A text box containing "gate-f.ifag.de".
- Proxy port:** A text box containing "8001".
- Settings for proxy in protected networks, leave boxes blank if none.**
- Path to SSL Certificates:** A text box that is currently empty, with the text "default: C:/Dokumente und Einstellungen/perlt/.config/BKG" displayed to its right.
- Ignore SSL Authorization Errors:** A checkbox that is currently unchecked.
- Settings for SSL Authorization.**



**BKG Ntrip Client (BNC) Version 2.6**

File Help

Network **General** RINEX Observations RINEX Ephemeris Broadcast Corrections Feed Engine Serial Output

Logfile (full path)

Append files

Reread configuration  ▼

Auto start

Raw output file (full path)

General settings for logfile, file handling, configuration on-the-fly, and auto-start.

Streams:	resource loader / mountpoint	decoder	lat	long	nmea	ntrip	bytes
1	www.igs-ip.net:2101/FFMJ1	RTCM_3.0	50.09	8.66	no	1	0 byte(s)

Log Throughput Latency PPP Plot

Add Stream Delete Stream Start Stop Start Post-Processing Help ?=Shift+F1



# BNC Settings RINEX Observations

Directory: d:\perl

Interval: 15 min | Sampling: 5 sec

Skeleton extension: SKL

Script (full path):

Version 3:

Saving RINEX observation files.

Streams:	resource loader / mountpoint	decoder	lat	long	nmea	ntrip	bytes
1	www.igs-ip.net:2101/FFMJ1	RTCM_3.0	50.09	8.66	no	1	0 byte(s)

Log | Throughput | Latency | PPP Plot

Add Stream | Delete Stream | Start | Stop | Start Post-Processing | Help ?=Shift+F1



# BNC Settings RINEX Ephemeris

Streams: resource loader / mountpoint

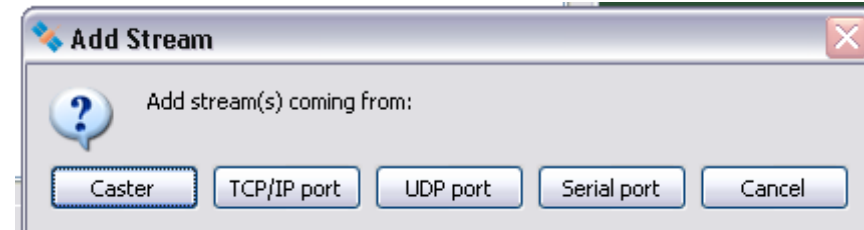
	Streams: resource loader / mountpoint	decoder	lat	long	nmea	ntrip	bytes
1	www.igs-ip.net:2101/FFMJ1	RTCM_3.0	50.09	8.66	no	1	0 byte(s)

Log Throughput Latency PPP Plot

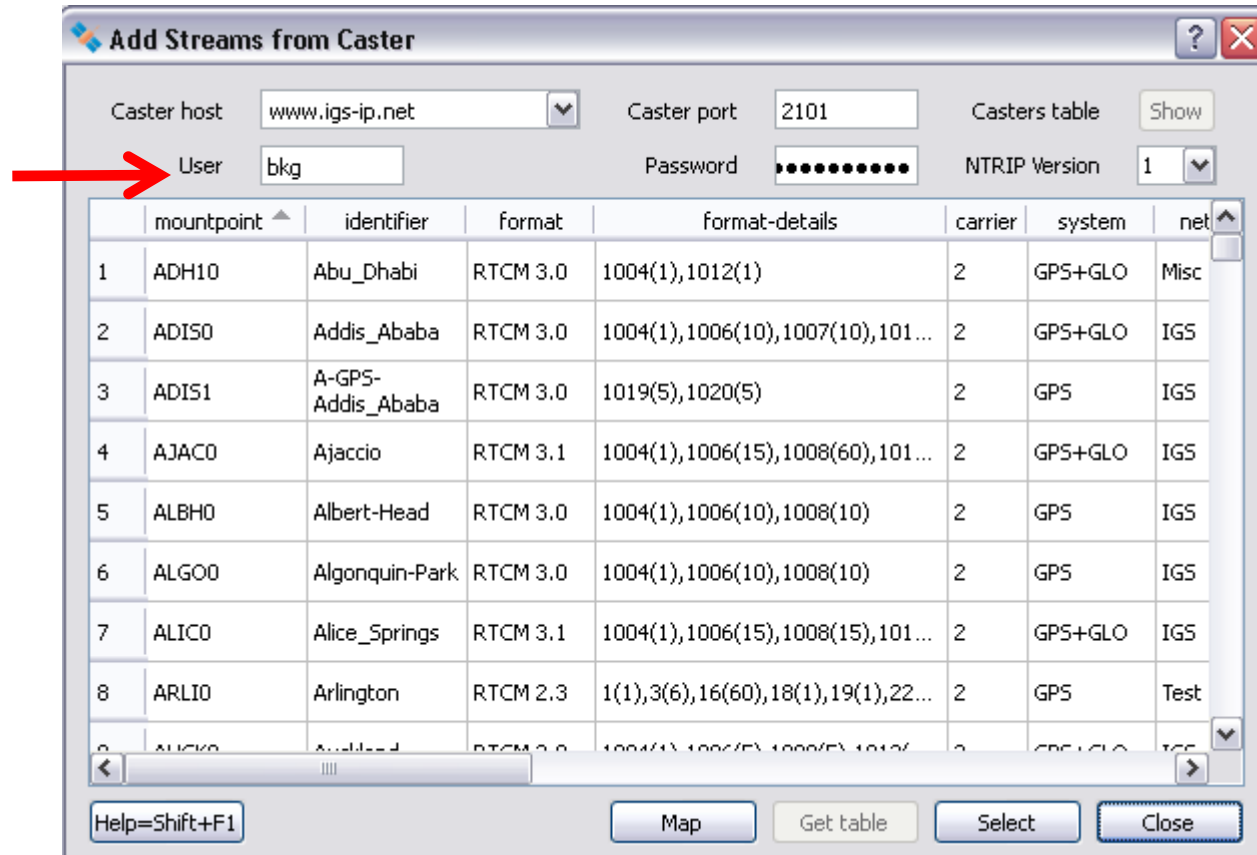
Add Stream Delete Stream Start Stop Start Post-Processing Help ?=Shift+F1



- Different sources
- Caster, ports, serial port



**Registration  
necessary  
for user and  
password**





# BNC log information

- Log information displayed (and saved)
- Graphics for latency and throughput
- Stream information

**BKG Ntrip Client (BNC) Version 2.6**

File Help

Network General **RINEX Observations** RINEX Ephemeris Broadcast Corrections Feed Engine Serial Output

Directory: d:\perl  
Interval: 15 min Sampling: 0 sec  
Skeleton extension: SKL  
Script (full path):  
Version 3:   
Saving RINEX observation files.

	Streams: resource loader / mountpoint	decoder	lat	long	nmea	ntrip	bytes
1	www.igs-ip.net:2101/BRUX0	RTCM_3.0	50.80	4.36	no	1	26.404 kB
2	www.igs-ip.net:2101/FFMJ1	RTCM_3.0	50.09	8.66	no	1	23.719 kB

Log Throughput Latency PPP Plot

```
12-03-07 11:09:10 ===== Start BNC v2.6 =====
12-03-07 11:09:10 CLK11: Get data in RTCM 3.x format
12-03-07 11:09:10 RTCM3EPH: Get data in RTCM 3.x format
12-03-07 11:09:10 FFMJ1: Get data in RTCM 3.x format
12-03-07 11:09:10 Configuration read: C:/Dokumente und Einstellungen/perlt/config/BKG/BNC.ini, 3 stream(s)
12-03-07 11:16:09 ===== Start BNC v2.6 =====
12-03-07 11:16:09 BRUX0: Get data in RTCM 3.x format
12-03-07 11:16:09 FFMJ1: Get data in RTCM 3.x format
12-03-07 11:16:09 Configuration read: C:/Dokumente und Einstellungen/perlt/config/BKG/BNC.ini, 2 stream(s)
```

Add Stream Delete Stream Start Stop Start Post-Processing Help ?=Shift+F1

**Throughput** (kops): BRUX0 ~ 3.5, FFMJ1 ~ 3.0

**Latency** (ms): BRUX0 ~ 300, FFMJ1 ~ 250